

MOMENTUM

Mounting Solutions

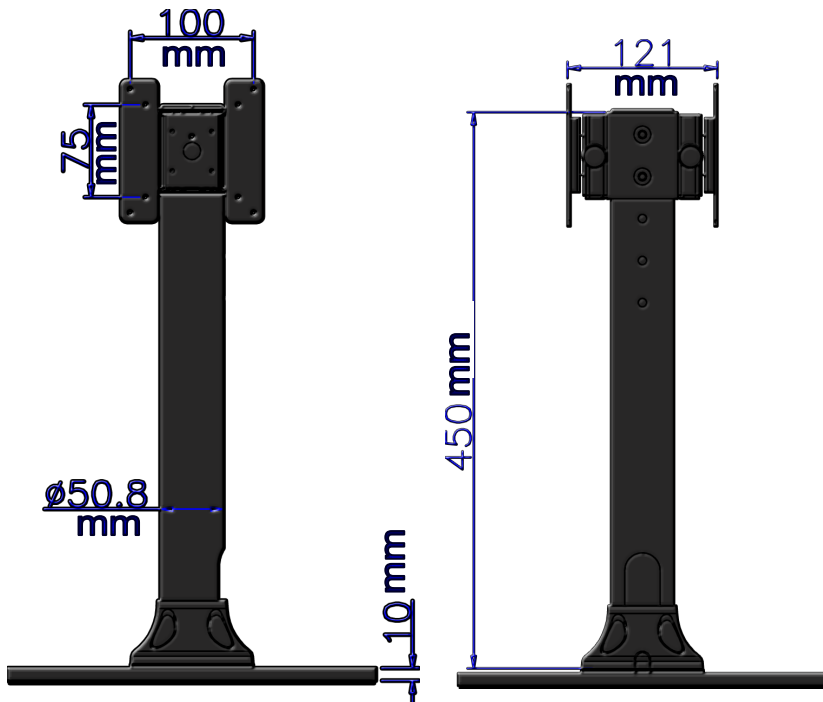
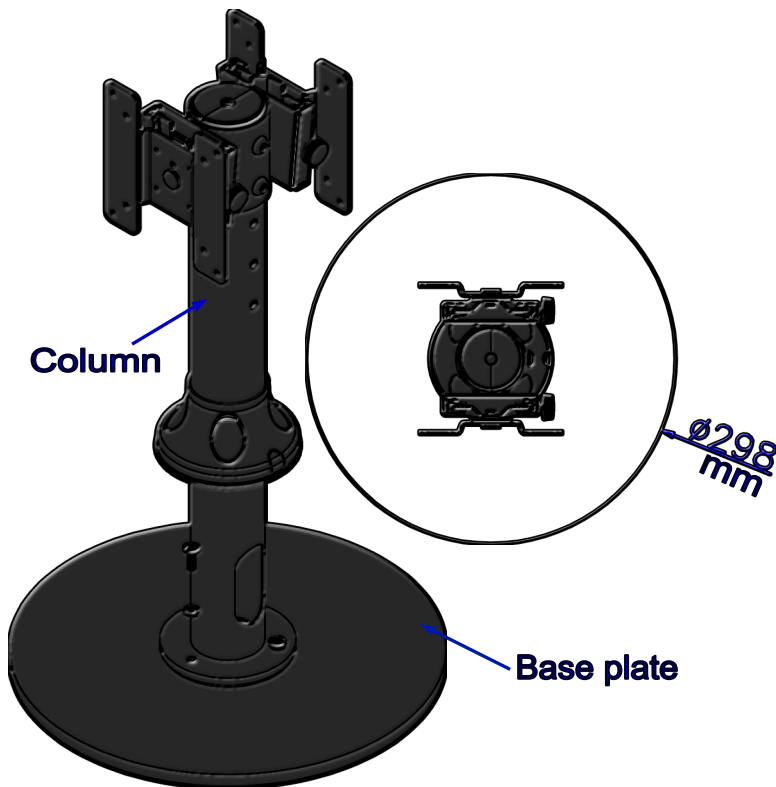
DUAL MONITOR DESK STAND

Brand : Momentum

Model : M15

Product Description :

- Support two monitor up to 24" in size for customer service application
- Support weight capacity : 16kg per monitor, 32kg in total
- Compatibility to most of the industrial standard monitor
- 450mm high column to accommodate display up to 640mm
- The design is with cable management - A pass-through access port in the steel column allows cable access from inside and to both side
- Come with heavy duty metal base for greater stability
- Finish with high quality epoxy powder coating
- Mechanical weight : 9kg
- 3 years warranty



MADE IN TAIWAN

www.veridian.com.my